

LEGGENDA

- A - Hot water connection 1/2" F *
- B - Cold water connection 1/2" F *
- C - Uscita equipotenziale.
- X- Equipotential output.

	Operating pressure:
	- MIN 150 kPa (1,5 bar)
	- MAX 300 kPa (3,0 bar)
	Hot water temperature:
	- MAX 60°C (140°F)

(To be calculated based on height of the user)

* The height above ground for the connection of the hot and cold water varies with the height from the shower tray.

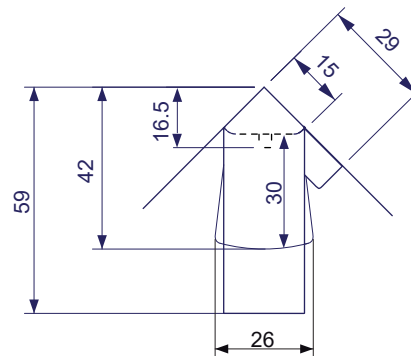
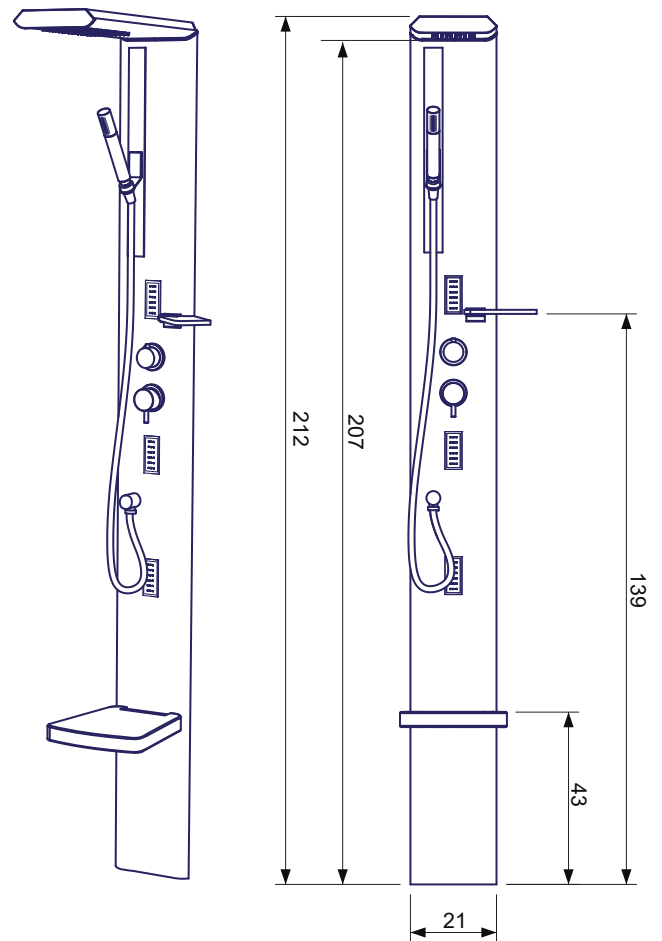
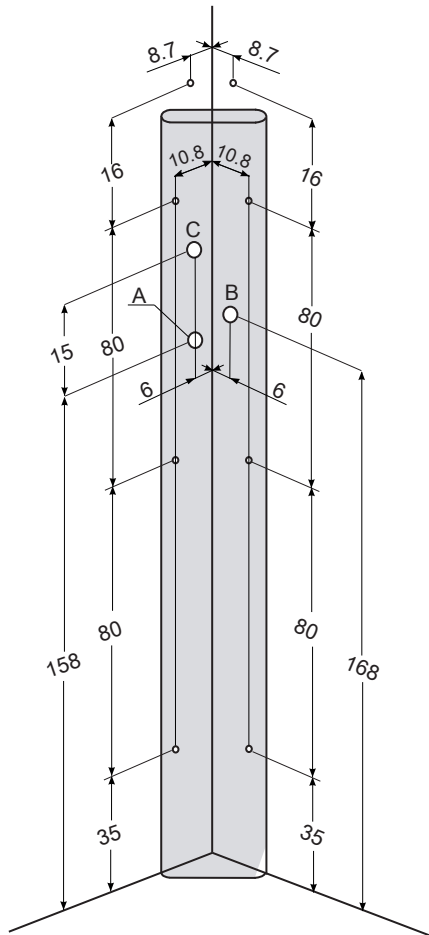
INSTALLATION:

- Installation must be done on the floor once walls are finished and shower tray installed.
- Do not have pipes passing where fixing holes have to be made.
- L 'height of the shower head and the shower head vary with the height of the positioning of the column equipped

CAUTION:

- Provide a protective divider wall so that the whirlpool jets do not leak into the room.

MEASURES FOR POSITIONING THE BRACKETS



VISTA DALL' ALTO

The overall dimensions are given in centimetres. Actual dimensions can vary by ± 0.5 cm.

Attenzione:

L 'out of bonding (C) can 'be made either in the right and the left side of the corner of the wall.

SISTEM	Electrical specificatio			Hydraulic characteristics			Dimension		Overall Dimensions				
	Volt	VA	Hz	Water consumption	Pressure exercises	Link H/C Water	Pack dimension		Weight				
							Width	Height	Lengh	Width	Height	Net	Gros
	-----	-----	-----	lt/min 20	1,5/3.0	1/2"	21	212	220	33	90	10	15

If the water pressure is higher than indicated, install pressure reducers.

Provide shut-off cocks out of the dimensions of the product for hot and cold water closing.

NOTICE: If the conditions indicated should not be observed, even partially, the safety of the column may be compromised: therefore both the guarantee, and the responsibility of the manufacturer for any direct or indirect damage caused by the product are forfeit. The lapse of the guarantee, in the hypothesis indicated above, will have as a result the replacement of the parts which are recognized as being defective, without covering labor costs necessary for the removal of the product.